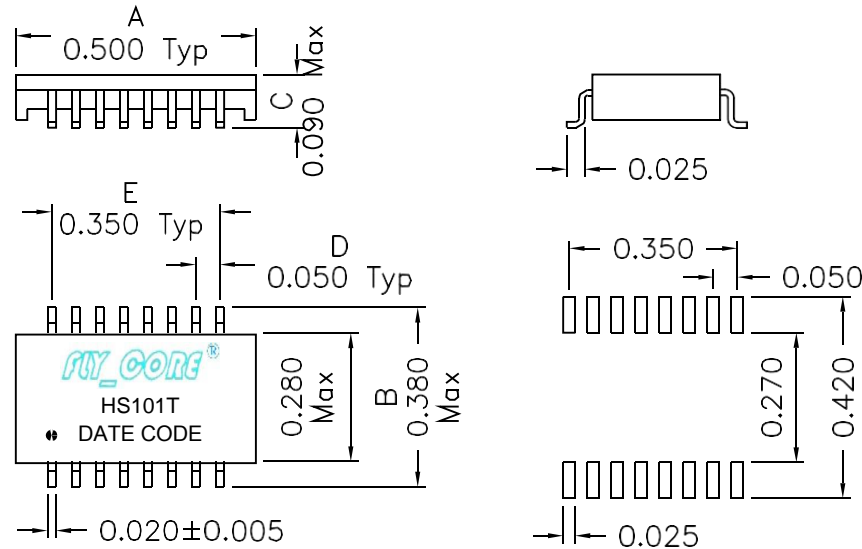
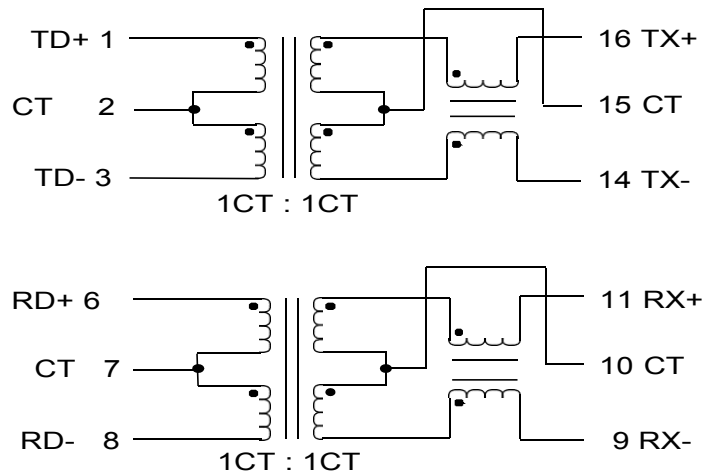


HS101T

1 MECHANICAL



2 Schematics



REVISIONS

REV.	DESCRIPTION	ECN NO.	DATE
A	FIRST RELEASE		2012-05-10



ELECTRICAL SPECIFICATIONS@25°C:

TURN RATIO(±2%): 1CT:1CT

INDUCTANCE(100KHz/100mV@8mA): 350uH MIN

Insertion Loss(dB MAX): -1.2dB(1-100MHz)

Return Loss(dB MIN):

-16dB(1-30MHz), -14dB(40MHz), -13dB(50MHz), -12dB(60-80MHz)

Crosstalk(dB MIN): -45dB(30MHz), -40dB(60MHz), -35dB(100MHz)

DCMR(dB MIN): -43dB(30MHz), -37dB(60MHz), -33dB(100MHz)

DC RESISTANCE BALANCE: ≤3.5%

HI-POT:1500Vrms/0.5mA/2Sec

OPERATING TEMPERATURE:-40°C TO +85°C

RoHS compliance:YES

成都浩然电子有限公司

电话 : 028-86127089 0755-86066647

网址 : <http://www.hschi.com>



微信公众号



手机淘宝商城

上海飞芯电子有限公司

TITLE:
10/100BASE-TX Magnetics Modules

APPROVALS		Date	Page	PART NO:	
DRAWN BY:	Tom	2012-5-15		1	HS101T
PROJ. ENG:	Alan	2012-5-15			
			Total		
APPROVED BY: Pul		2012-5-16	1	REV:A	DWG NO:

old No.

original No.

date sign