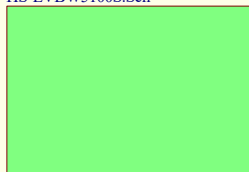
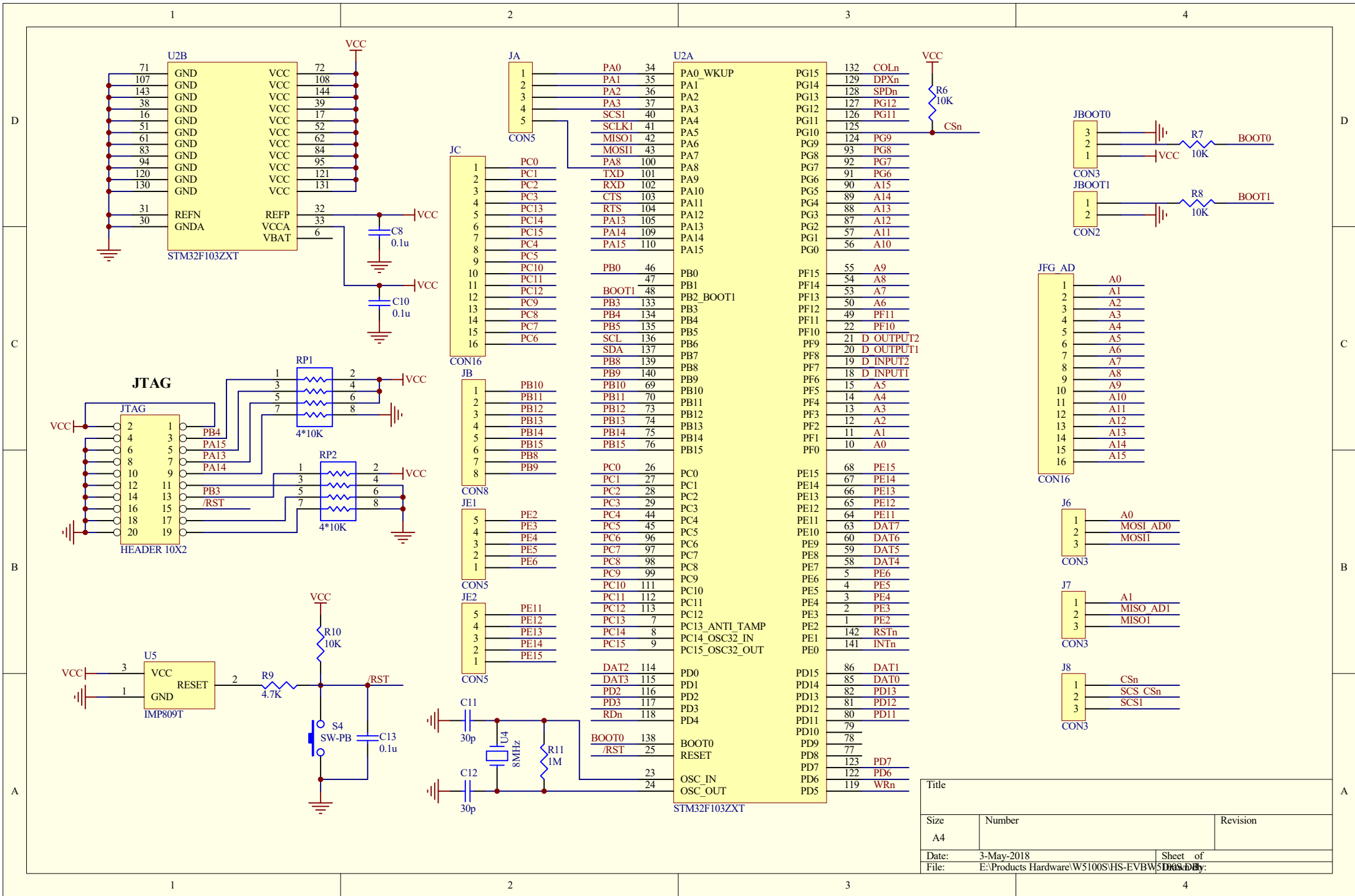


W5100SA
HS-EVBW5100S.Sch



| | | |
|---|-----------|----------|
| Title | | |
| Size A4 | Number | Revision |
| Date: 3-May-2018 | Sheet of | |
| File: E:\Products Hardware\W5100S\HS-EVBW5100S.Sch | Drawn By: | |



| Title | | |
|-------|---|----------|
| Size | Number | Revision |
| A4 | | |
| Date: | 3-May-2018 | Sheet of |
| File: | E:\Products Hardware\W5100SHS-EVBW5100SHS.DOC | |